



Compression Couplings 525 and Adapter Gaskets

525 Compression Coupling



Gasket



A continuous brass helix molded into the leading edge of the gasket provides metal to metal contact between the pipe and coupling sleeve. Extra protection is given against line contents and the coupling is electrically bonded to the pipe.

The **Smith-Blair 525 Compression Coupling** is designed to fit nominal pipe sized half-inch thru two-inch.

The coupling is designed to join plain end small diameter pipe on new installations and pipe modifications. It can also be used to maintain and repair existing pipe systems. The Compression Coupling has a temperature range of -20°F to 180°F and a working pressure up to 150 PSI.

It has Nitrile (Buna N) gaskets and a galvanized finish. The 525 compression coupling is designed to fit on steel, copper* and PVC** pipe.

*Copper pipe requires an adapter gasket.

**Wall thickness rating must be provided before ordering for proper selection and proper application.

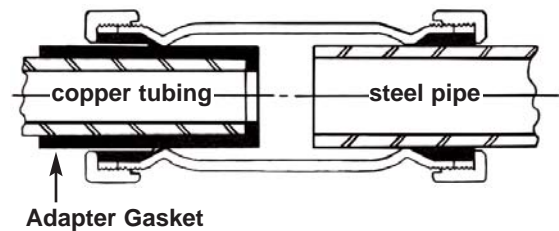
Material Specifications

Sleeve:	Ductile Iron
Gasket:	Nitrile (Buna N) - compounded to resist oil, acids, alkalies, most (aliphatic) hydrocarbon fluids, water and many chemicals. (Contact Smith-Blair engineers for applications involving other chemicals).
Temperature Range:	-20°F. to 180°F.
Compression Nut:	Ductile Iron
Finish:	Galvanized

*Product not recommended for natural gas service.

Material specifications subject to change.

Adapter Gasket Diagram



Smith-Blair's Adapter Gasket is used to adapt steel size couplings to copper tubing.

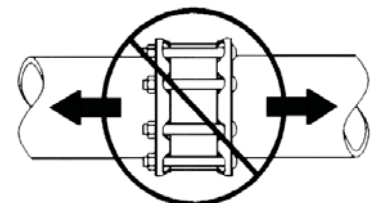
The gasket insulates the copper tubing from the coupling and from other pipe being joined together.

The adapter gasket is suitable for use with both the Smith-Blair Compression Coupling and the Smith-Blair 411 Steel Bolted Coupling.



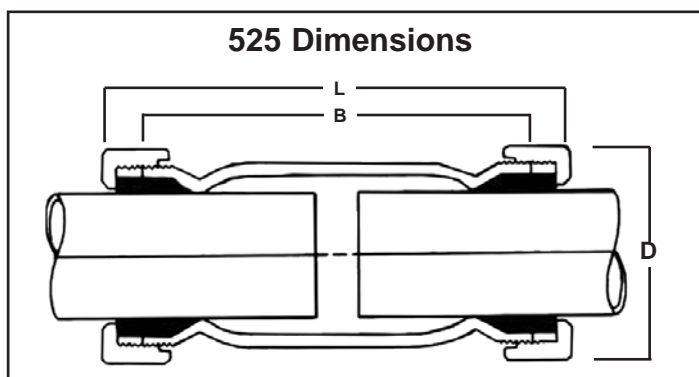
WARNING

THESE PRODUCTS
DO NOT
RESTRAIN AXIAL
PIPE MOVEMENT





525 Compression Couplings



Nom. Pipe Size Inches	Pipe O.D. Inches	Dimension Inches		
		B	D	L
1/2	.840	3.35	1.68	4.13
3/4	1.050	3.62	1.94	4.33
1	1.315	4.00	2.21	4.53
1 1/4	1.660	4.00	2.61	4.72
1 1/2	1.900	4.00	2.94	4.92
2	2.375	4.44	3.56	5.31

U.S.				Catalog Number Galvanized	Qty. Per Carton	Metric			
Nom. Pipe Size Inches	Pipe O.D. Range	Wt. Ea. Lbs.	Ctn. Wt. Lbs.			Nom. Pipe Size mm	Pipe O.D. mm	Wt. Ea. Kg.	Ctn. Wt. Kg.
1/2	0.840	1.0	24	525-00008400-003	24	15	21.24	.45	10.90
3/4	1.050	1.3	32	525-00010500-003	24	20	26.67	.59	14.53
1	1.320	1.5	24	525-00013200-003	16	25	33.40	.68	10.90
1 1/4	1.660	1.8	22	525-00016600-003	12	32	42.16	.82	9.99
1 1/2	1.900	2.7	33	525-00019000-003	12	40	48.26	1.23	14.98
2	2.375	3.5	42	525-00023800-003	12	50	60.33	1.59	19.07

Adapter Gaskets

U.S.			Catalog Number	Metric		
Nom. Pipe Size Inches	Steel Pipe O.D. Inches	Copper Tubing O.D. Inches		Nom. Pipe Size mm	Steel Pipe O.D. mm	Copper Tubing O.D. mm
1/2	0.84	0.63	000-00038420-069	15	21.34	16.00
3/4	1.05	0.88	000-00038421-069	20	26.67	22.35
1	1.32	1.13	000-00038422-069	25	33.40	28.70
1 1/4	1.66	1.38	000-00038423-069	32	42.16	35.05
1 1/2	1.90	1.63	000-00038424-069	40	48.26	41.40
2	2.38	2.13	000-00038425-069	50	60.33	54.10

Smith-Blair Inc.

P. O. Box 5337
 Texarkana, Texas 75505
 800-643-9705 870-773-5127
 800-648-6792 870-773-5212
 www.smith-blair.com

Distributed By: